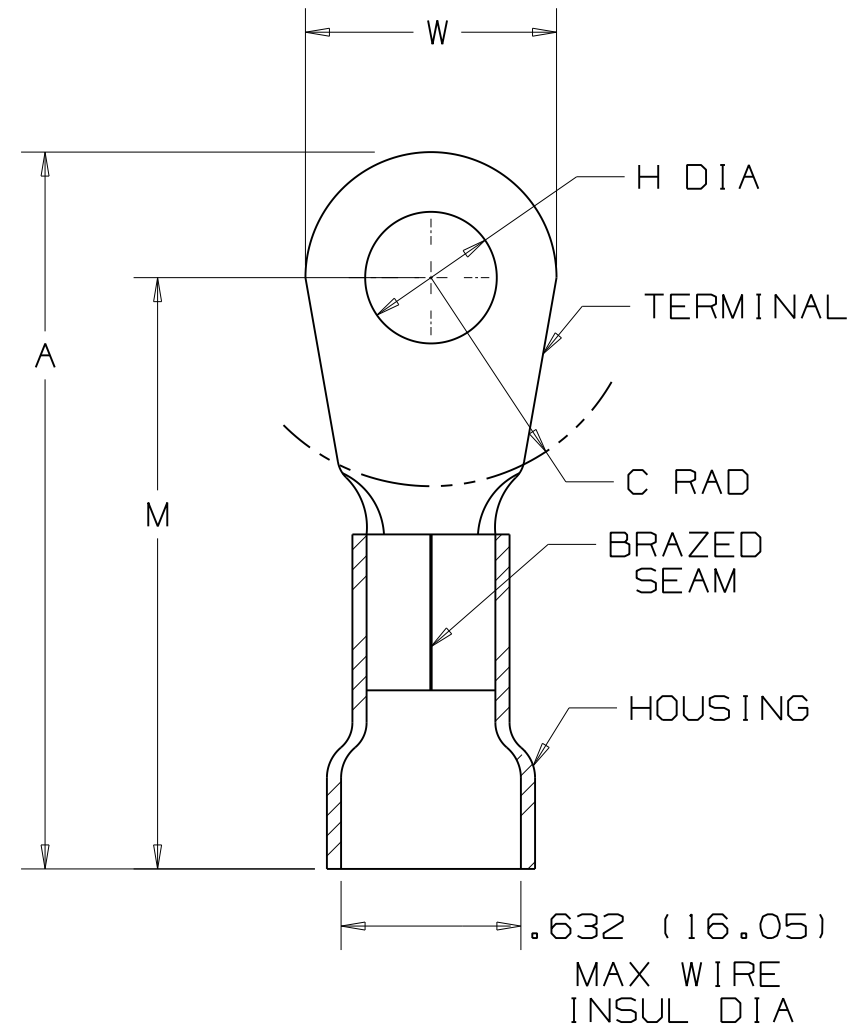


THIS COPY IS PROVIDED ON A RESTRICTED BASIS AND IS NOT TO BE USED IN ANY WAY DETRIMENTAL TO THE INTERESTS OF PANDUIT CORP.

| PANDUIT PART NUMBER | | STUD SIZE | DIMENSIONS in. | | | | |
|---------------------|------------|-----------|-----------------|----------------|----------------|-----------------|----------------|
| PREFIX | PK | | A $\pm .020$ | W $\pm .010$ | C $\pm .015$ | M $\pm .020$ | H $\pm .010$ |
| PV2-10RX | -XY -TY | #10 | 1.94 (49.28) | .68 (17.27) | .58 (14.73) | 1.60 (40.64) | .20 (5.08) |
| PV2-14RX | -XY -TY | 1/4" | 1.94 (49.28) | .68 (17.27) | .58 (14.73) | 1.60 (40.64) | .27 (6.86) |
| PV2-56RX | -XY -TY | 5/16" | 1.94 (49.28) | .68 (17.27) | .58 (14.73) | 1.60 (40.64) | .33 (8.38) |
| PV2-38RX | -XY -TY | 3/8" | 1.94 (49.28) | .68 (17.27) | .58 (14.73) | 1.60 (40.64) | .39 (9.91) |
| PV2-12RX | -XY -TY | 1/2" | 2.03 (51.56) | .86 (21.84) | .58 (14.73) | 1.60 (40.64) | .52 (13.21) |

NOTES:

- UL LISTED FOR:
 - 600V MAX VOLTAGE RATING
 - 221° F (105° C) MAX TEMP RATING
 - #2 AWG STRANDED COPPER WIRE
- PACKAGE QTY: STD. PKG. -X = 10
BULK PKG. -T = 200, -TY = 200
- MATERIAL:
 - STAMPING - .060" (15.2) THK COPPER, TIN PLATED
 - HOUSING - VINYL, RED
- DIMENSIONS IN BRACKETS ARE IN MILLIMETERS
- INSTALLATION TOOL: CT-720



LISTED
587H
E52164

A41220

PANDUIT CORP.

TINLEY PARK, ILLINOIS

#2 BARREL VINYL INSULATED RING TONGUE
.632 (16.05) MAX. WIRE INSUL. DIAMETER

| 06 | 3-10 | SB | | Corrected UI file number | | | | | |
|-----|------|----|-----|--------------------------|------|----|------|----|--|
| REV | DATE | BY | CHK | DESCRIPTION | ECN# | QA | CUST | PM | |

| | | | |
|-----------------|-------|---------------|-----------------------|
| DRAWN BY DAW | CHK'D | SCALE NONE | DRAWING NO. A41220 |
|-----------------|-------|---------------|-----------------------|